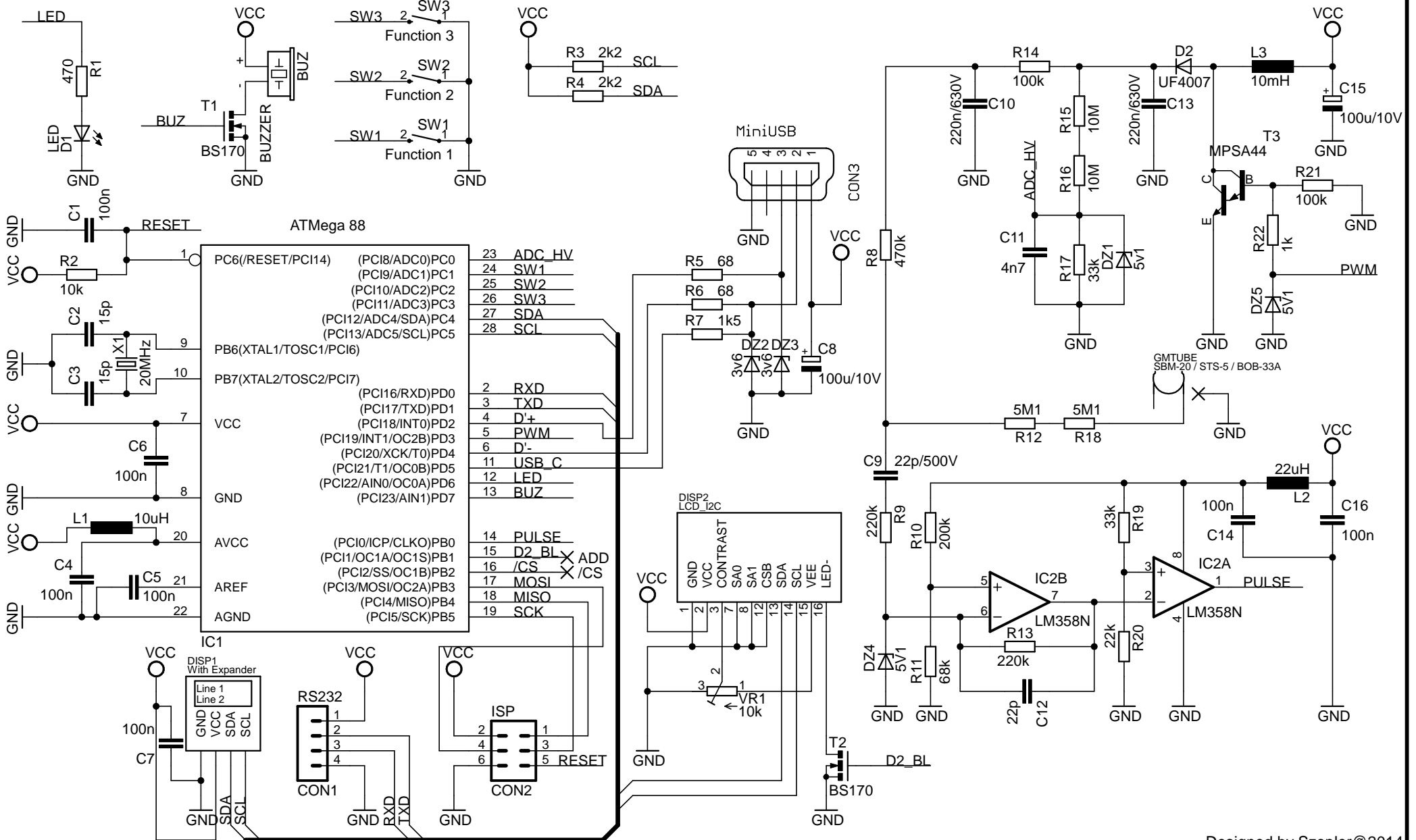


Radioactive@Home V2.61 (KIT)

<http://RadioactiveAtHome.org>



Designed by Szopler@2014